

High speed door

Albany HS8020PL

ASSA ABLOY

ASSA ABLOY Entrance Systems

The global leader in door opening solutions



Large sized high speed door for outside applications with high windloads

The main features of the Albany HS8020PL are:

- Large-sized, max. 8000 x 5500 mm
- Heavy-duty operations
- Outside usage
- High wind loads, up to class 4
- Galvanised steel construction
- Unique direct door drive system
- Opening speed up to 0,8 m/s

The unique direct door drive system eliminates the need for weighted bottom bars or tension systems by actively driving the door curtain. An exceptional reliability and smooth operation is ensured by a frequency inverter driven motor for a soft start and stop.

Reinforced side guides are installed at the Albany HS8020PL to secure easy opening and closing at high wind loads.

The robust steel, IP54 classified, control box is easy to operate and to program. The mechanical main switch and emergency stop make it foolproof. The clear display gives a wide range of information like an easy to read cycle counter.

Break-away - and Automatic Repair system

Albany high speed doors are equipped with a break-away - and automatic repair system. The curtain reintroduces itself after a crash to reduce downtime and maintenance.

Completely safe

Features that make our doors completely safe.

- The soft bottom edge has no rigid parts, it moulds around any obstruction to prevent injury or damage.
- When an object hits the door, the fabric curtain absorbs the impact and releases itself from its side guides without causing damage or being damaged itself.

Windows

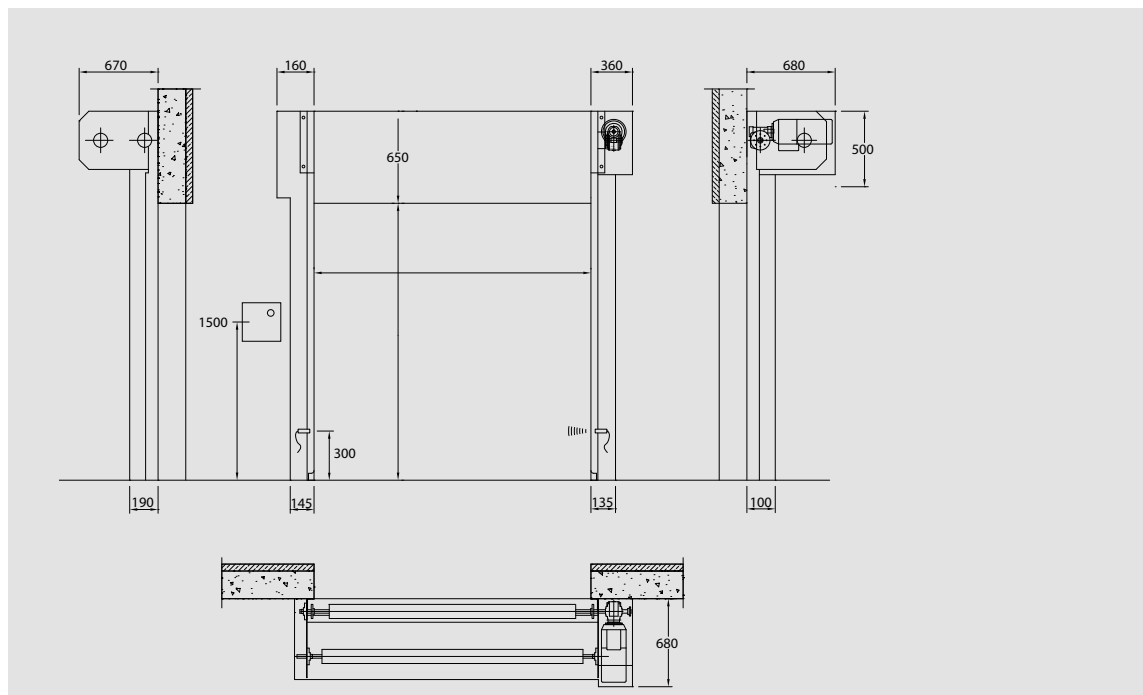
To increase the admission of daylight and visibility, the door curtain can be equipped with windows or vision panels. Windows have fixed sizes and are located on a pre-defined grid.

Technical Data

Min size (W x H)	5500 x 2000 mm
Max size (W x H) ¹	8000 x 5500 mm
Operating speed	opening: up to 0,8 m/s ² closing: 0,4 m/s
Wind load resistance, EN 12424	class 3 (700 N/m ²) class 4 (1000 N/m ²) for doors up to 6000 x 5500 mm
Water penetration, EN 12425	class 1 (30 N/m ²)
Air permeability, EN 12426	class 1 (24 m ³ /m ² /h at 50 Pa)
Thermal transmittance	6,02 W/ (m ² K)
Lifetime expectations	750.000 cycles

1) Other sizes available on request 2) Depending on door size

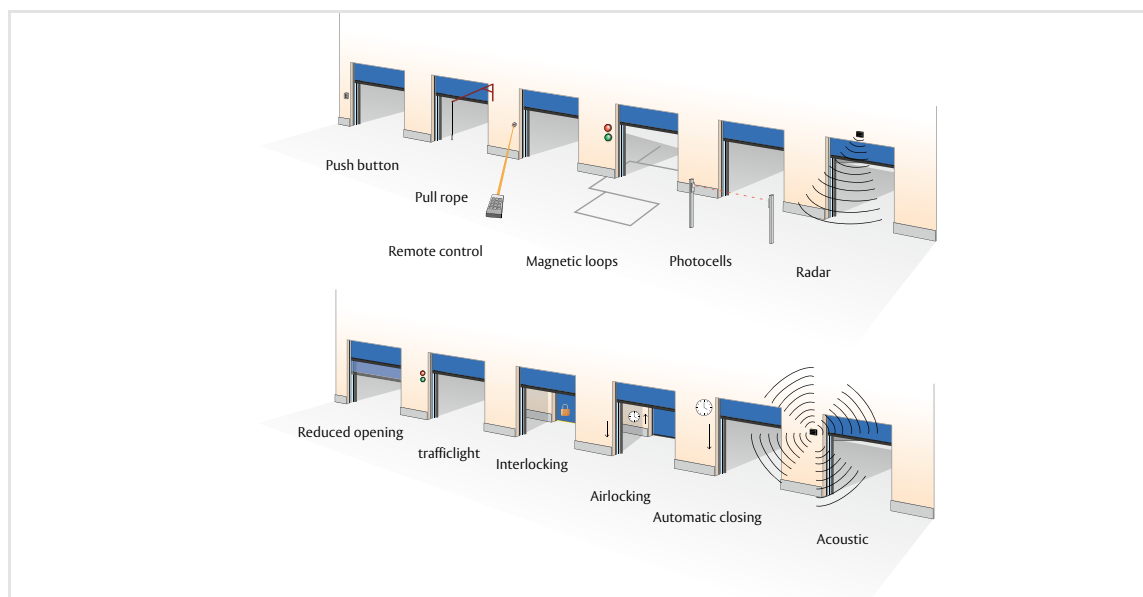
Dimensional specifications



Windows and Vision panels



Options access and automation



Standard available colours

